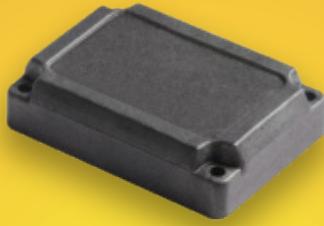


ATA-4129

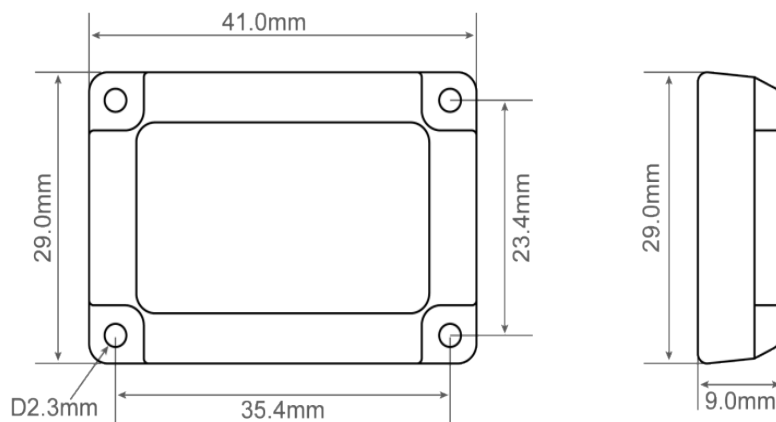
High Temperature TAG



Specification

Compliance	EPC Class1 Gen2, ISO18000-6C	Data Storage	Up to 10 years
Frequency	UHF 860-960 MHz	Material	PEEK
Chip	NXP UCODE8	Size	41 x 29 x 9 mm (Hole: D2.3 mm)
Memory	EPC 128bits, User x	Operating Temp.	-20°C to +150°C
Read and Write	Yes		
Read and Write Counts	100,000 cycles at (25°C)		

Dimensions



* 상기 사양은 예고 없이 개선되거나 일부 변경될 수 있습니다.



Alien Technology Asia – Korea
#909, 99, Digital-ro 9-gill Gumcheon-gu Seoul, 08510 Korea
Tel: +82-70-7012-1317 Fax: +82-2-868-1710
www.aliensasia.com support@aliensasia.com