

ANT-1212F

AIR PATCH Antenna

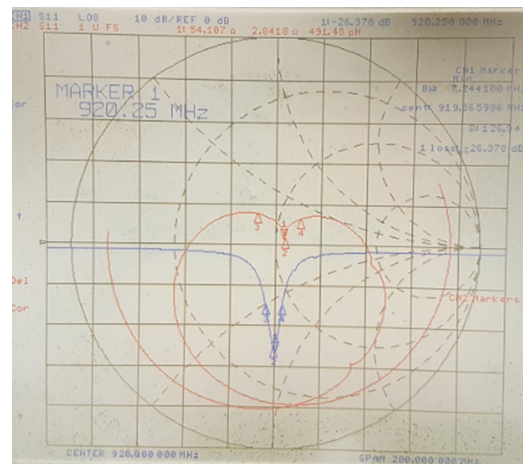


ANT-1212F는 규격 120 x 120 mm 사이즈에 우수한 성능을 가진 RFID 안테나입니다.

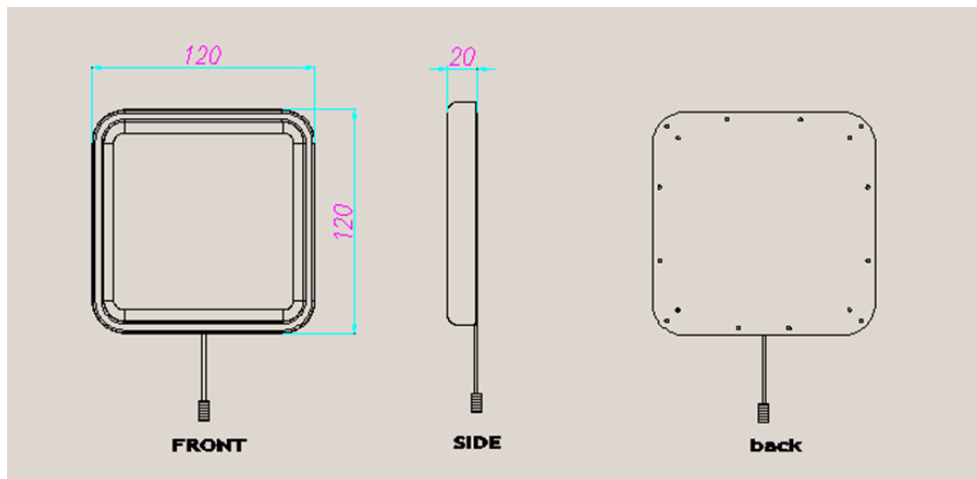
Antenna Spec

Center Frequency	920 MHz
Polarization	RHCP
Dimension	120 x 120 x 20 mm
Gain	2.16 dBi Max
Beam Width	111 Deg.
Impedance	50 Ohms
VSWR	1.5 : 1 Ratio
Band Width	7 MHz

S-Paramater DATA(R/L)



Dimension



Antenna Gain data Sheet

Source Antenna Polarization	Gain				
	916.0 MHz	918.0 MHz	920.0 MHz	922.0 MHz	928.0 MHz
RHCP (dBic)	0.96	1.97	3.04	3.73	3.96
H-POL (dBi)	0.34	1.13	1.91	2.16	1.47

No	Freq.[GHz]	θ-Pol(H)					φ-Pol(V)					Pwr Sum				
		Avg.[dBi]	Peak[dBi]	θ[deg]	Null[dBi]	θ[deg]	Avg.[dBi]	Peak[dBi]	θ[deg]	Null[dBi]	θ[deg]	Avg.[dBi]	Peak[dBi]	θ[deg]	Null[dBi]	θ[deg]
7	0.914	-4.27	-0.01	8.00	-15.70	134.00	-14.55	-9.28	2.00	-33.61	-113.00	-3.88	0.47	3.00	-15.18	134.00
8	0.916	-3.94	0.34	5.00	-15.67	135.00	-12.99	-7.78	4.00	-35.18	-145.00	-3.43	0.96	5.00	-15.07	135.00
9	0.918	-3.15	1.13	6.00	-15.38	136.00	-10.79	-5.61	5.00	-38.11	-144.00	-2.46	1.97	5.00	-14.70	136.00
10	0.919	-2.73	1.56	6.00	-15.18	137.00	-9.59	-4.46	4.00	-41.02	-144.00	-1.91	2.53	3.00	-14.48	137.00
11	0.920	-2.39	1.91	3.00	-15.07	137.00	-8.43	-3.34	4.00	-46.65	-144.00	-1.42	3.04	3.00	-14.30	137.00
12	0.922	-2.15	2.16	3.00	-15.24	138.00	-6.45	-1.44	5.00	-33.16	-144.00	-0.78	3.73	3.00	-14.48	138.00
13	0.924	-2.41	1.91	2.00	-15.59	140.00	-5.00	-0.09	6.00	-25.39	-144.00	-0.50	4.03	4.00	-15.09	140.00
14	0.926	-2.84	1.52	-2.00	-15.06	142.00	-4.22	0.53	4.00	-43.16	143.00	-0.47	4.05	0.00	-15.03	142.00
15	0.928	-2.91	1.47	-6.00	-14.19	-133.00	-4.23	0.42	5.00	-30.70	143.00	-0.51	3.96	0.00	-13.38	144.00

