



ALN-9640 SQUIGGLE INLAY

The Alien Technology® ALN-9640 Squiggle® is a high-performance general-purpose RFID inlay for use in a wide variety of applications



Applications

- Corrugate cases
- Pallet cards
- Apparel hang tags
- Baggage tags
- Asset management
- File folder labels
- Shipping labels

FEATURE	DESCRIPTION	BENEFIT
One of the most widely-used general purpose tags	Well-proven design for a broad range of world-wide applications	Robust, proven, and reliable
One of the best performing general-purpose tags on the market	Optimized for high performance in all world regions	Trusted performance
Designed to work well in challenging di-electric environments	A very robust general-purpose tag	Reliable in challenging environments

Features:

- › EPC Gen 2 (v1.2.0) compliant
- › ISO/IEC 18000-6C compliant
- › Worldwide RFID UHF operation (840-960MHz)
- › Higgs™-3 IC with 800-bits of Nonvolatile Memory
 - 32-bit TID
 - 64-bit Unique TID
 - 96-bit EPC Memory, extensible to 480-bits
 - 512-bit User Memory
 - 32-bit Access password
 - 32-bit Kill password
- › Pre-programmed with a unique, unalterable 64-bit serial number (ideal for authentication)
- › User Memory can be Block Perma-Locked
- › User Memory can be Read Password protected in 64-bit blocks, prohibiting unintended Reads without an access password
- › Supports all Mandatory and Optional Gen 2 commands including item level commands
- › Custom commands for high speed programming
- › Available in high-yield, high-capacity dry/wet inlay rolls for high volume converting processes

Product Overview:

Powered by Alien®’s break-through **Higgs™3 UHF RFID IC** and innovative **Squiggle** antenna design, the ALN-9640 delivers industry leading EPC Gen 2 performance and reliability at competitive prices.

ALN-9640 inlays are *World Tag* compliant, enabling consistent operation across the diverse frequencies of the Americas, Europe, Middle East, Asia, and Africa.

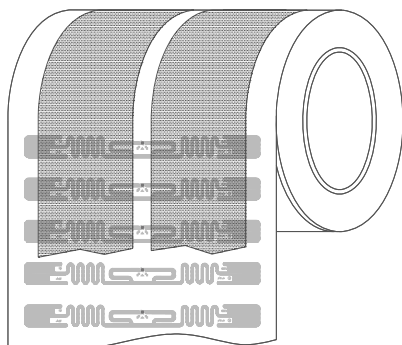
With its Higgs-3 core, the Squiggle delivers unprecedented performance and a rich feature set including a 32-bit TID, a **64-bit Unique TID for authentication and serialization applications**, an **extensible EPC memory bank, 512-bits of user memory** for distributed data applications, and **password protected read and write** support capabilities to prevent unauthorized viewing and modification of the tag’s data.

Typical applications for the Squiggle include, but are not limited to, corrugate cases, pallet placards, apparel hang tags, baggage tags, shipping labels, asset management, and file folder labels.

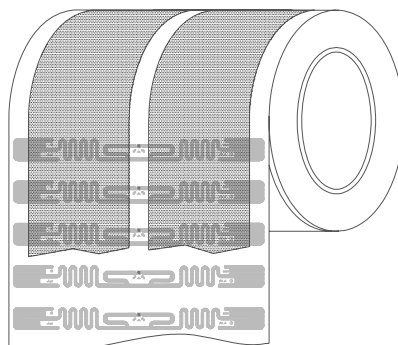


ALN 9640 Squiggle Inlay

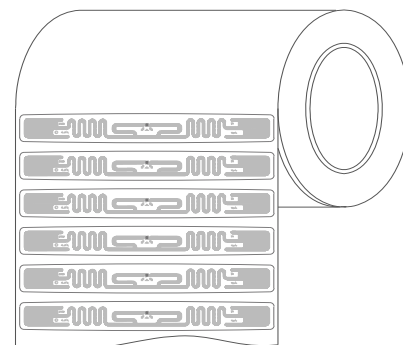
ALN-9640 Inlay Orientation



ALN-9640-FRA
(Dry Unslit Roll)



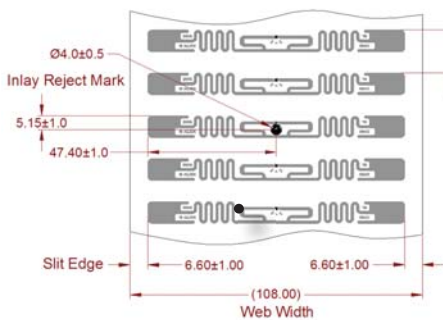
ALN-9640-FSRA
(Dry Slit Roll)



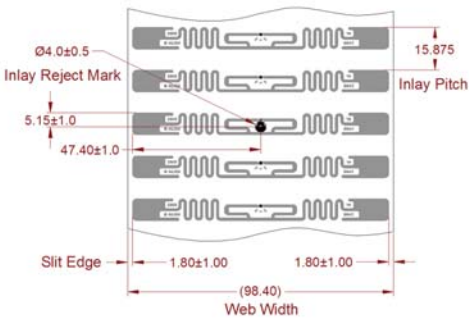
ALN-9640-FWRCA / -FWRWA
(Clear / White Wet Roll)

Standard Alien Inlay rolls unwind with metal antenna side facing outward, with respect to the core.

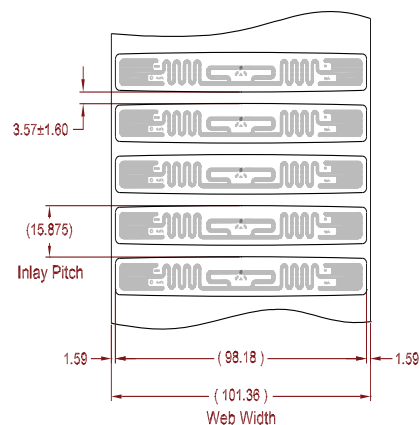
ALN-9640 Inlay Specification



ALN-9640-FRA
(Dry Unslit Roll)



ALN-9640-FSRA
(Dry Slit Roll)



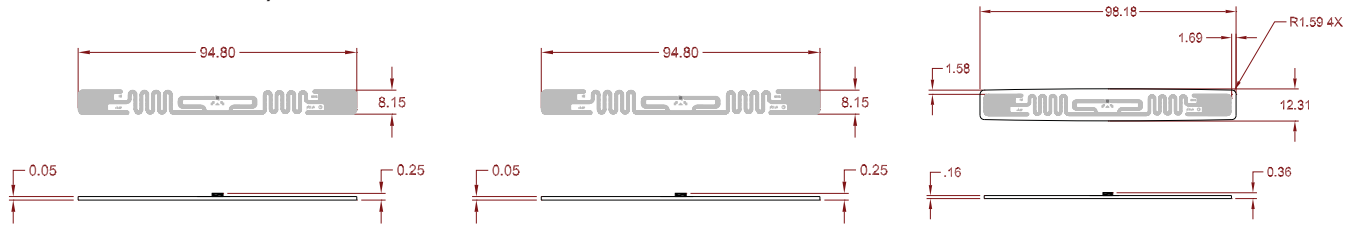
ALN-9640-FWRCA / -FWRWA
(Clear / White Wet Inlay)





ALN 9640 Squiggle Inlay

ALN-9640 Inlay General Dimensions



ALN-9640-FRA
(Dry Unslit Inlay)

ALN-9640-FSRA
(Dry Slit Inlay)

ALN-9640-FWRCA / -FWRWA
(Clear / White Wet Inlay)

ALN-9640 Inlay Stackup

DRY INLAY THICKNESS, $\pm 10\%$	
OVER ANTENNA	0.05 mm
OVER CHIP	0.25 mm

CLEAR WET INLAY THICKNESS, $\pm 10\%$	
OVER ANTENNA	0.08 mm
OVER CHIP	0.28 mm

WHITE WET INLAY THICKNESS, $\pm 10\%$	
OVER ANTENNA	0.16 mm
OVER CHIP	0.36 mm

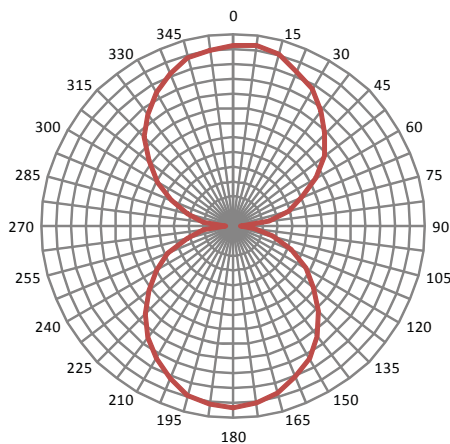


ALN-9640-FRA / -FSRA
(Dry Unslit / Slit Inlay)

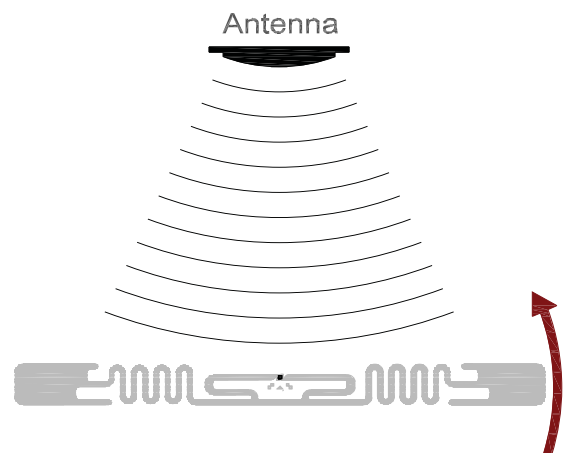
ALN-9640-FWRCA
(Clear Wet Inlay)

ALN-9640-FWRWA
(White Wet Inlay)

ALN-9640 Inlay Angular Sensitivity



Angular Sensitivity
(Relative Read Range vs. Orientation)



Angular Sensitivity
Inlay is rotated in the x, y, plane about the z axis
(tag shown at 0° with respect to face of antenna)



ALN 9640 Squiggle Inlay

ALN-9640 Specifications

Dry Inlay	
Antenna Width	3.732" [94.8mm]
Antenna Length	0.319" [8.1mm]
Web Width (-FRA)	4.252" [108.0mm]
Web Width (-FSRA)	3.874" [98.4mm]
Web Pitch	0.625" [15.875mm]
Core Width (-FRA)	4.252" [108.0mm]
Core Width (-FSRA)	3.874" [98.4mm]
Core ID	6" [152.4mm]*
Core Material	Fiberboard
Interleaf Material	Paper
Interleaf Width	1.5" [38.1mm]
Inlays per Roll	20,000 Nominal
Maximum Roll OD	< 12" [304.8mm]

Wet Inlay	
Inlay Width	3.866" [98.2mm]
Inlay Length	0.484" [12.3mm]
Web Width	3.992" [101.4mm]
Web Pitch	0.625" [15.875mm]
Core Width	4.752" [120.7mm]
Core ID	6" [152.4mm]*
Core Material	Fiberboard
Inlays per Roll	20,000 Nominal
Maximum Roll OD	< 16" [406.4mm]
Roll Labeling Data	Roll #, Quantity
White (-FWRWA)	TT Printable White Film Overlay
Overlay Adhesive (-FWRWA)	General Purpose Permanent
Inlay Adhesive	General Purpose Permanent
Adhesive Application Temperature	> +36.5°F [+2°C]
Adhesive Service Temperature	-4°F to +199.4°F [-20°C to +93°C]
Release Liner	40# SCK

Environmental	
Shelf Life	2 years at +77°F [+25°C] @ 40%RH
Recommended Storage	+77°F [+25°C] @ 40% RH
Storage Limits	-13°F to 122°F [-25°C to +50°C] 20% to 90% RH Non-condensing
Operating Limits	-40°F to +158°F [-40°C to +70°C] 20% to 90% RH Non-condensing
Bend Diameter	> 1.97" [50mm]
Pressure	< 5N/mm ²
Drop Resistance	Per ASTM D5276
Write Cycles	100,000 @ 25°C
RoHs	2002/95/EC Compliant
REACH	1907/2006/EC Compliant
ESD – HBM / CDM	> 5.0kV / > 1.5kV

RFID	
Protocols Supported	ISO/IEC 18000-6C EPCglobal Class 1 Gen 2
Integrated Circuit	Alien Higgs-3
EPCglobal Certificate	950110126000001084
Operating Frequency	840–960 MHz
EPC Size	96 - 480 Bits
User Memory	512 Bits
TID	32 Bits
Unique TID	64 Bits
Access Password	32 Bits
Kill Password	32 Bits

* Shipped with 6" to 3" plastic core adapter

Copyright © 2012 Alien Technology Corporation. All rights reserved.
 Alien, Alien Technology, the Alien Technology logo, FSA, Higgs, Dynamic Authentication, Quick-Write, Squiggle, and the Squiggle logo are trademarks or registered trademarks of Alien Technology Corporation in the U.S. and other countries.
HANDLING PRECAUTIONS Observe standard handling practices to minimize ESD.
DISCLAIMER Application recommendations are guidelines only - actual results may vary and should be confirmed. This is a general purpose product not designed or intended for any specific application.

This product is covered by one or more of the following U.S. patents: 7967204, 7931063, 7868766, 7737825, 7716208, 7716160, 7688206, 7659822, 7619531, 7615479, 7598867, 7580378, 7576656, 7562083, 7561221, 7559486, 7559131, 7554451, 7551141, 7542301, 7542008, 7531218, 7522055, 7500610, 7489248, 7453705, 7425467, 7417306, 7411503, 7385284, 7377445, 7364084, 7353598, 7342490, 7324061, 7321159, 7301458, 7295114, 7288432, 7265675, 7262686, 7260882, 7253735, 7244326, 7218527, 7214569, 7199527, 7193504, 7173528, 7172910, 7172789, 7141176, 7113250, 7101502, 7080444, 7070851, 7068224, 7046528, 6998644, 6988667, 6985361, 6980184, 6970219, 6952157, 6942155, 6933848, 6927085, 6816380, 6780696, 6731353, 6693384, 6683663, 6665044, 6657289, 6623579, 6606247, 6606079, 6590348, 6586338, 6566744, 6555408, 6527964, 6479395, 6468638, 6420266, 6316278, 6291896, 6281038. Other patents pending.

1st August 2012



Alien Technology
 18220 Butterfield Blvd.
 Morgan Hill, CA 95037
 866-RFID NOW
www.alientechnology.com